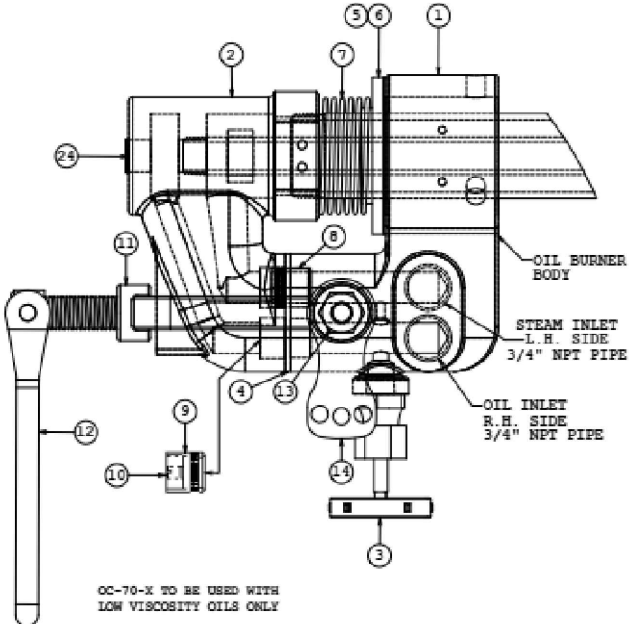


CX-OIL GUN INSTALLATION:

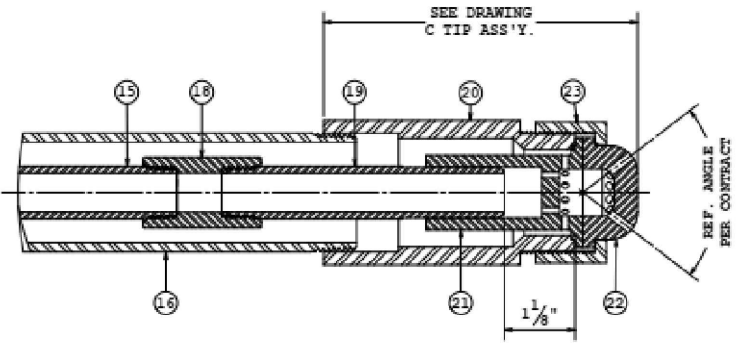
CLEAN OUT VALVE IS IN THE 12 O'CLOCK POSITION AS VIEWED FROM BURNER FRONT (ROTATED 180° FROM DRAWING)

ITEM NO.	PART NO.	DESCRIPTION	QTY.
1	C-1-X	OIL GUN BODY FOR C3 BURNER	1
2	C-2-X	BURNER CONNECTOR FOR C3 BURNER	1
3	BA ASSEMBLY	CLEANOUT VALVE	1
4	C-4-X	C-4-X GASKET	1
5	C-5	BURNER SEAL RING FOR C BURNER	1
6	C-6-G	OIL GUN SEAL RING GASKET FOR C BURNERS	1
7	C-13 COIL	SEAL RING SPRING (0.216" I.D. X 2.50 O.D. - 3/32" WIRE)	1
8	C-5-X	BURNER INSERT FOR C3 BURNER	1
9	C-5-S-X	BURNER INSERT FOR C3 BURNER	1
10	OC-70-X	CRUIZER HOUSING	1
11	BE-3	TOKE	1
12	4452-B	TOKE ASSEMBLY SCREWS	1
13	M4	TOKE SCREWS	2
14	B-156	TOKE LEAD IN	2
15	C-9-X	INNER TUBE (3/4" BORE 80 FT/EE)	1
16	C-8	OUTER TUBE (1 1/2" SCH 40 PIPE)	1
17	C-162	JACKET TUBE (2 5/8" O.D. X .125" WALL MECHANICAL PILING)	1
18	C-17	COUPLER (1/2 NPT 3000#)	1
19	C-9A	BURNER OIL TUBE EXTENSION PIECE FOR C BURNER	1
20	C-7	ADAPTER	1
21	C-2360	MIXING PLUG FOR TYPE C OIL BURNER	1
22	C-2260	BURNER TIP FOR C OIL BURNER	1
23	C-21 NUT	NUT	1
24	HARDWARE	1/2 NPT PIPE PLUG	1

GUN LENGTH AS SPECIFIED ON ORDER - SEE FEATURES SHEET
 • 1 1/2" OUTER PIPE - 8 1/16" LESS THAN GUN LENGTH
 • 3/4" INNER PIPE - 7 3/8" LESS THAN GUN LENGTH



OC-70-X TO BE USED WITH LOW VISCOSITY OILS ONLY



**CHUYỂN ĐỔI NHIÊN LIỆU TỔ MÁY S2
 BẢN VẼ SUNG PHUN DẦU DO
 MÃ SỐ: TĐ.FO-DO.TB.003-2**

A
B
C
D
E
F
G
H